



Underscore® Rectangle

72" x 42" heated whirlpool bath w/ center drain
K-1174-JH

Features

- Eight Flexjet® hydromassage jets can be individually adjusted for water flow and direction.
- Single-speed whirlpool offers performance and value with 8 fully adjustable jets.
- Built-in heater.
- Slotted overflow allows for deep soaking.
- Spacious design accommodates up to two bathers.
- Integral lumbar support.
- Textured bottom surface.

Material

- Acrylic.

Installation

- Drop-in.
- Center drain.
- 120 V electrical requirement allows for easy installation with standard outlet.
- Requires one dedicated circuit.

Required Products/Accessories

K-7271 Brass Slotted Overflow Bath Drain

or

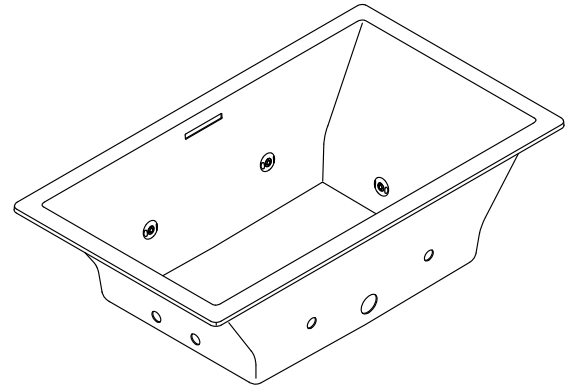
K-7272 PVC Slotted Overflow Bath Drain

Recommended Products/Accessories

K-1491 Bath/Whirlpool Pillow

K-1601 Bath/whirlpool footstop, removable

K-24916 Wireless Music Kit



Codes/Standards

ASME A112.19.7/CSA B45.10

CSA B45.5/IAPMO Z124

ASTM E162

ASTM E662

UL 1795






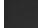
CSA C22.2 No. 218.2

KOHLER® Hydrotherapy Components Five-Year Limited Warranty

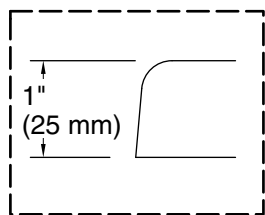
See website for detailed warranty information.

Available Colors/Finishes

Color tiles intended for reference only.

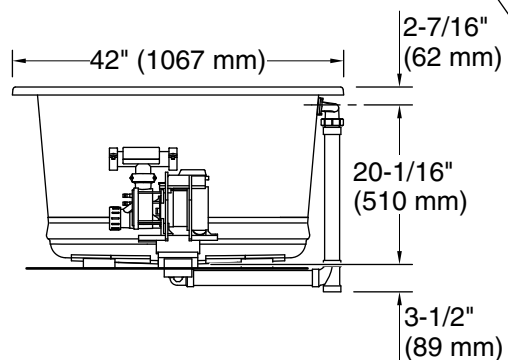
Color	Code	Description
	0	White
	96	Biscuit
	NY	Dune
	95	Ice™ Grey
	58	Thunder™ Grey
	7	Black Black™

No change in measurements if connected with drain illustrated. (K-7272)

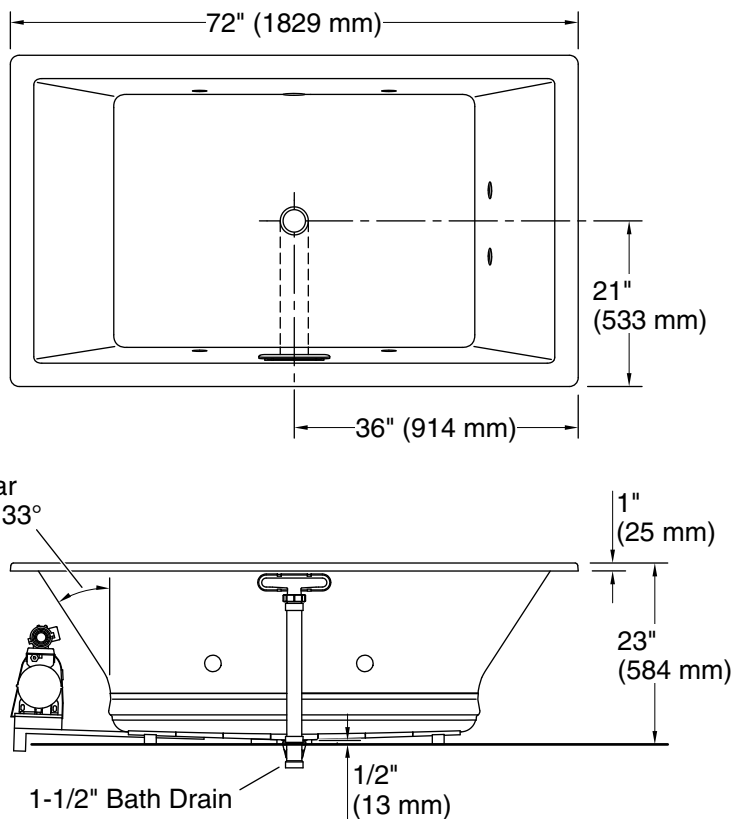


Drop-in Rim Detail

Blower Motor Access
20" (508 mm) W x 15" (381 mm) H Min



Lumbar Angle 33°



Required Electrical Service

Two dedicated circuits required, protected with Class A Ground-Fault Circuit-Interrupter (GFCI). Outside North America, this device may be known as a Residual Current Device (RCD).

Pump: 120 V, 15 A, 60 Hz

Heater: 120 V, 12 A, 60 Hz

Technical Information

All product dimensions are nominal.

Installation: Drop-in

Drain location: Center

Basin area, bottom: 45-3/4" x 32" (1162 mm x 813 mm)

Basin area, top: 66" x 36" (1676 mm x 914 mm)

Weight: 130 lbs (59 kg)

Minimum floor load: 63 lbs/ft² (307.6 kg/m²)

Water depth: 19" (483 mm)

Water capacity: 100.4 gal (380.1 L)

Cutout: Drop-in, 70-1/2" x 40-1/2" (1791 mm x 1029 mm)

Electrical component rating: Pump: 120 V, 7 A, 60 Hz
Heater: 120 V, 12 A, 60 Hz

Notes

Measure your actual product for rough-in details.

Install this product according to the installation instructions.

The hot water supply should be 70% of the capacity of the bath or greater. Installations will vary.